

# Technical Bulletin 077 – Zero 275 Data Sheet



Issue Date 18/01/24

Revision 01

**Lifeline Fire and Safety Systems Limited**

Falkland Close, Charter Avenue Industrial Estate,  
Coventry, West Midlands, CV4 8AU

Tel: +44 (0)24 7671 2999

Fax: +44 (0)24 7642 1322

Email: [sales@lifeline-fire.co.uk](mailto:sales@lifeline-fire.co.uk)

## Technical Bulletin 077 –

REV1 18/01/24

Other References	
TB044	Zero 275 Installation Guide
TB006	Monnex MSDS
TB046	Coldfire MSDS

### Overview

The Lifeline Zero 275 extinguisher range (UK Patent No. 2578666) is homologated to FIA8865-2015 standard. These systems provide a high level of protection for you and your vehicle and have been extensively tested by Lifeline, the FIA, and BSI to meet the FIA 8865-2015 requirements.

By utilising an innovative, patented design, the Zero 275 is the lightest FIA 8865-2015 system on the market weighing just 2.65kg. Not only is the Zero 275 the lightest on the market but it is also the fastest FIA 8865-2015 system with a fire out time of 0.6 seconds in the cockpit.

Zero 275 (EX.018.18)



Zero 275 (EX033.23)



### Specification

Description	Zero 275	Zero 275
Part Number	105-001-019	105-001-028
FIA Homologation	EX.018.18	EX.033.23
Contents	Coldfire, Monnex	Coldfire, Monnex
Weight of Cylinder	2.65kg	3.26kg
Discharge System	Electrical	Electrical
Cylinder Material	Aluminium	Aluminium
Operating Temperatures	-15 to +80°C	-15 to +80°C
Cockpit Volumes	1.4 – 4.1m <sup>3</sup>	1.4 – 4.1m <sup>3</sup>

### Class of Fire

The Zero 275s has been tested and approved to the class of fuels below.

#### Zero 275 (EX.018.18)

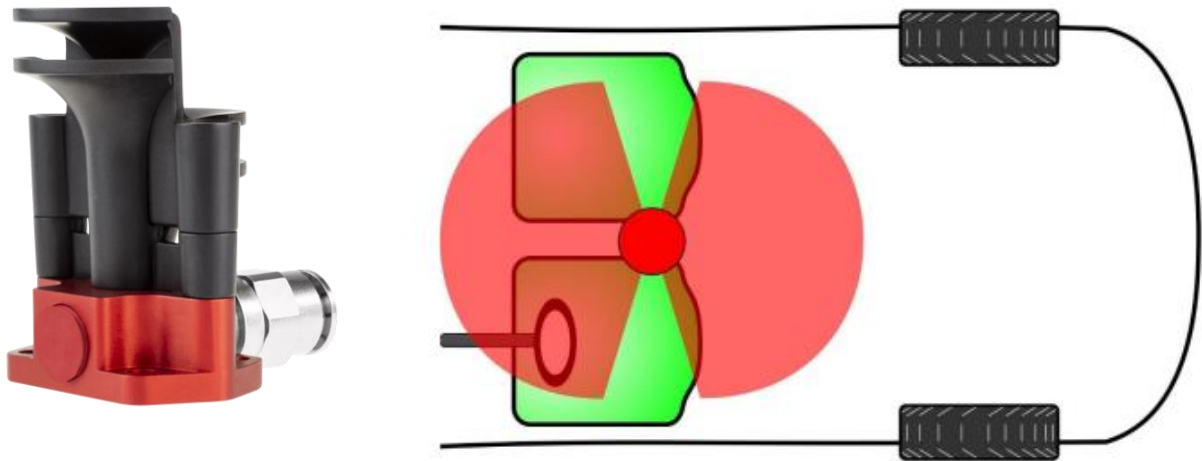
Class I	Petrol in accordance with Art.9 of Article 252 of the 2014 Appendix J
Class II	Petrol + up to 30% Ethanol

#### Zero 275 (EX033.23)

Class V – E85	Any specific fuel
Class V - E75	Any specific fuel

### Cockpit Nozzle

The cockpit side of the 275 has a unique nozzle design that has designed and developed in such a way that only 1 nozzle is required. The nozzle has been scientifically engineered using fluid dynamics to distributes the powder out of both sides of the nozzle allowing for almost a full 360-degree coverage.



### Weights and Dimensions

Part Number	Description	Weight	Cylinder Dimensions (Length x Diameter)
105-001-019	Zero 275 1.4-4m <sup>3</sup> Full Kit	3.28kg	319 x 125mm
105-001-019-B	Zero 275 1.4-4m <sup>3</sup> – Bottle Only	2.65kg	319 x 125mm
105-001-028	Zero 275 Full Kit	4.19kg	403 x 125mm
105-001-028-B	Zero 275 - Bottle Only	3.56kg	403 x 125mm

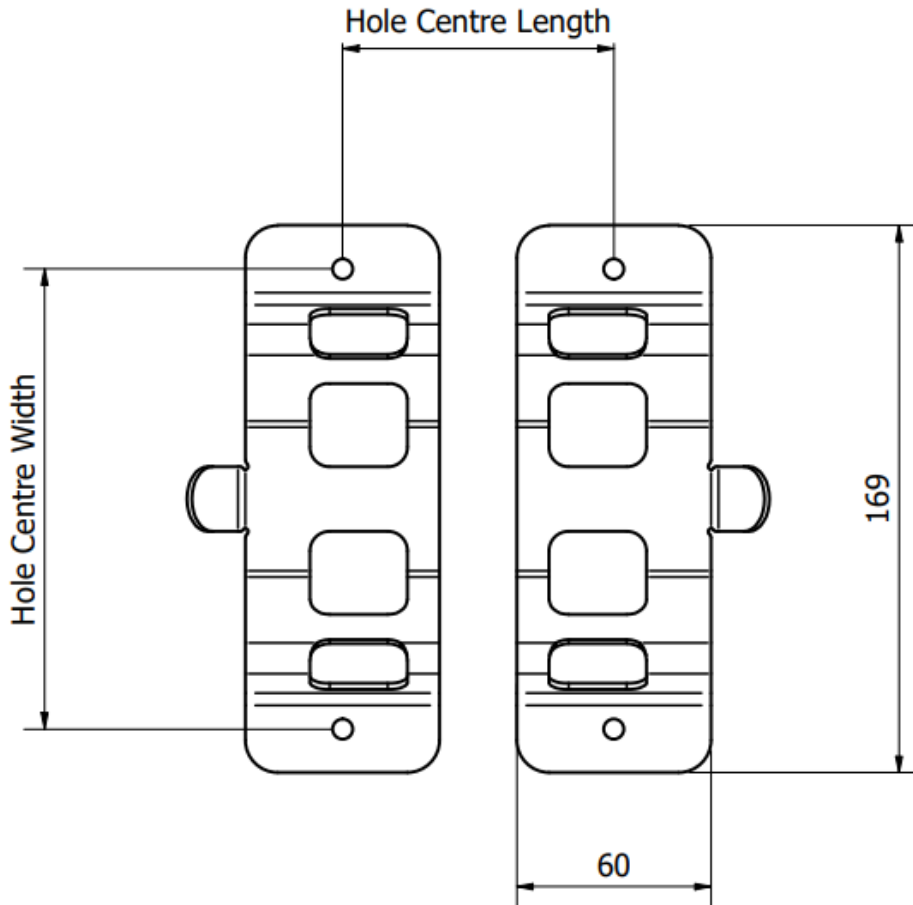


**Kit Contents 105-001-019-K / 105-001-028-K**

Item	Part Number	Description	Qty
1.0	920-100-008-FIA	Bracket and Straps – Medium	1
2.0	941-000-040	Control Box – FIA 8865 – Binder	1
3.0	942-100-004	Switch – Pushbutton – Aluminium Bezel	2
4.0	943-101-005	Plug and Lead – Binder 2 Pin	2
5.0	943-101-044	Binder 4 Core M8 Lead 2m	1
6.0	951-101-019	8mm - Polyamide Coated Aluminium Hardline - 6m Cut Length	1
7.0	951-101-021	10mm - Polyamide Coated Aluminium Hardline - 1.5m Cut Length	1
8.0	951-200-002	Tube Clips	5
9.0	952-408-007	8mm 4 Way Equal Cross Connector	1
10.0	955-300-013	Nozzle - Misting - Full Cone - 8mm	3
11.0	955-300-025	Nozzle - Petal - 10mm	1
12.0	990-100-001	Decal Pack	1



**Bracket Fixing Centres**

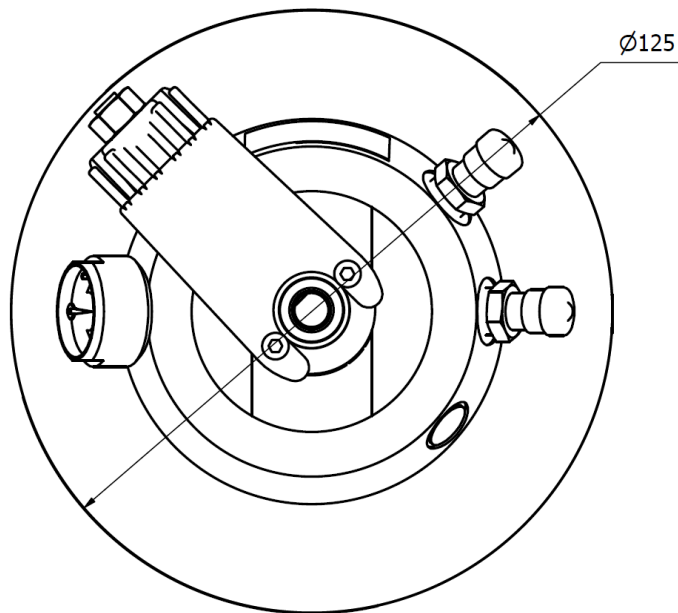
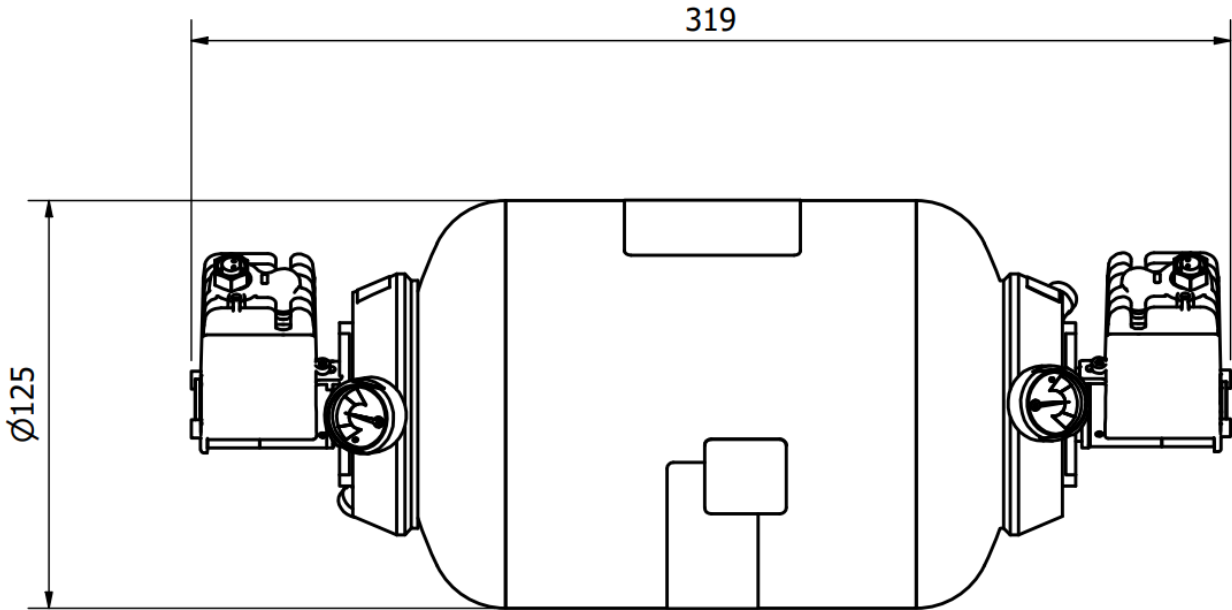


<b>Hole Centres 275 (EX.018.18)</b>	
<b>Length</b>	<b>85-90mm</b>
<b>Width</b>	<b>142mm</b>

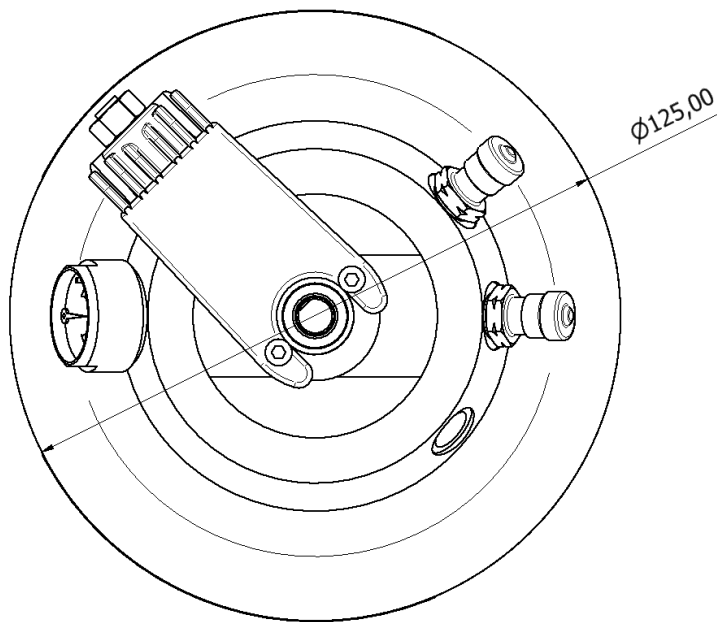
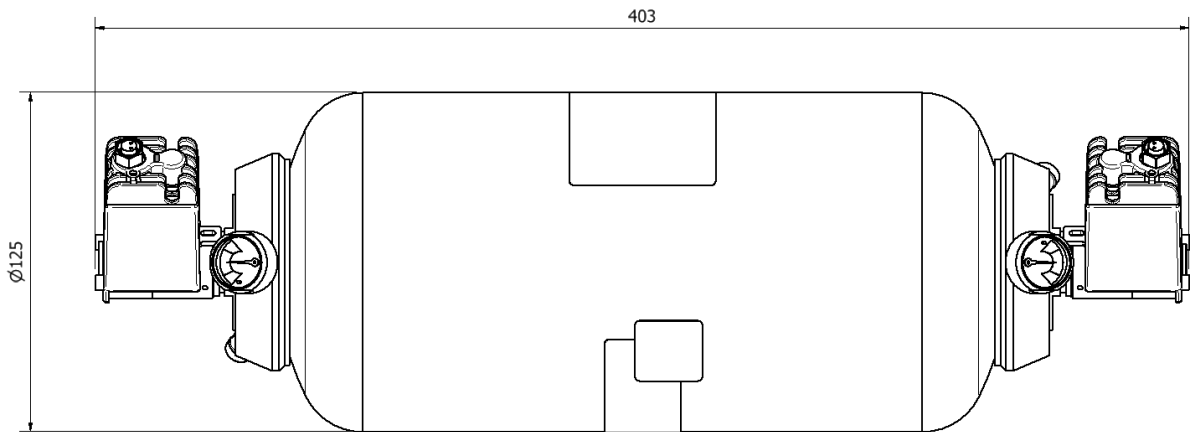
<b>Hole Centres 275 (EX.033.23)</b>	
<b>Length</b>	<b>170-175mm</b>
<b>Width</b>	<b>142mm</b>

### Cylinder Drawings

Zero 275 (EX.018.18) -105-001-019

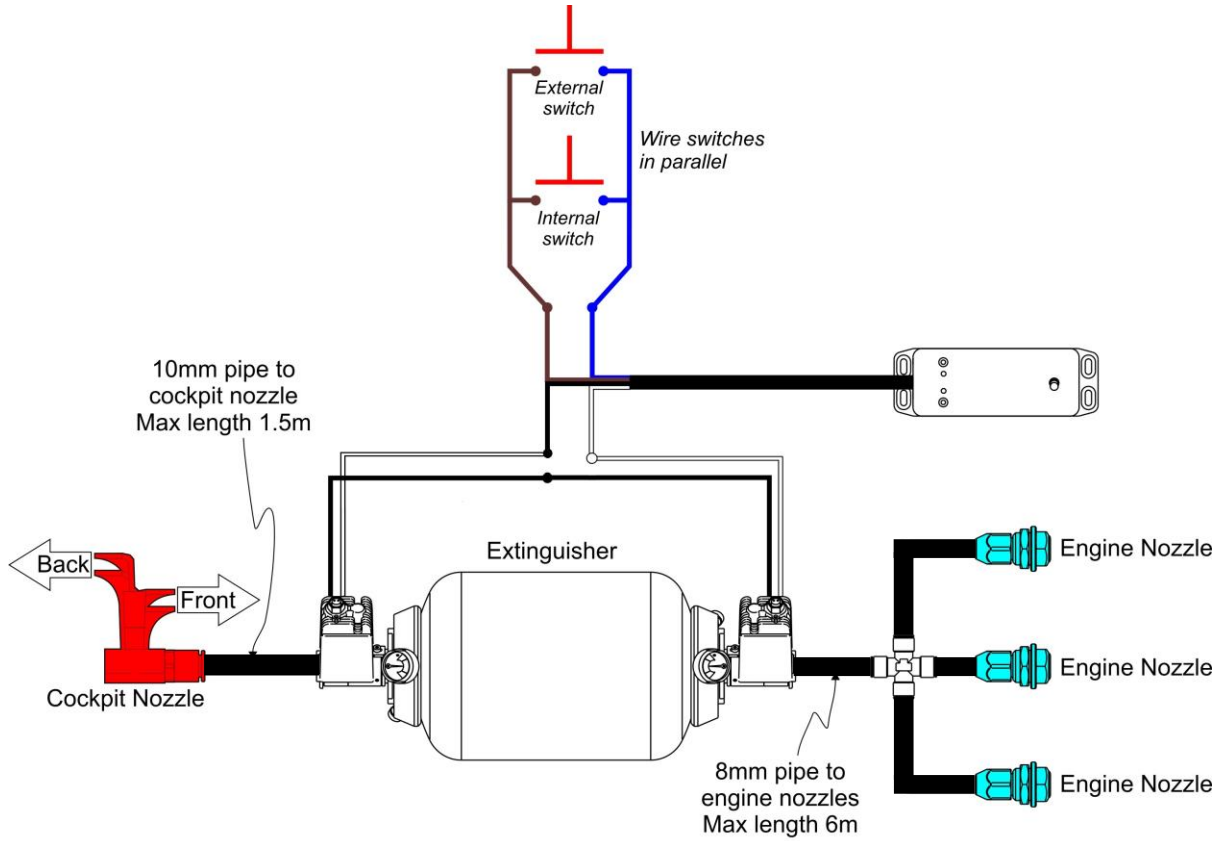


**Zero 275 (EX.033.23) -105-001-028**





**Schematic Drawing**



**WIRING COLOURS**

- 1 - **BROWN** = SWITCH
- 2 - **BLUE** = SWITCH
- 3 - **BLACK** = EXTINGUISHER
- 4 - **WHITE** = EXTINGUISHER

## Notes